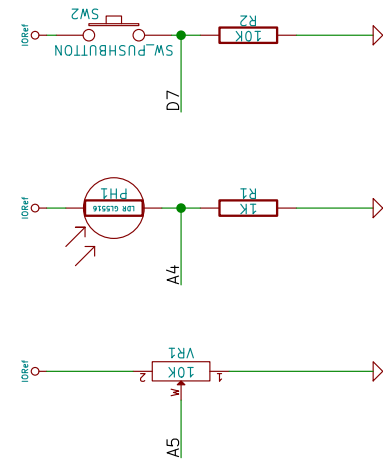


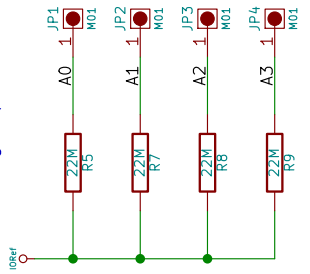
Analog & Digital Inputs

Potentiometer

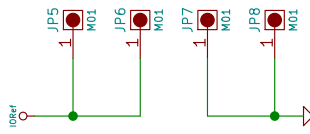
LDR Light Sensor Pushbutton



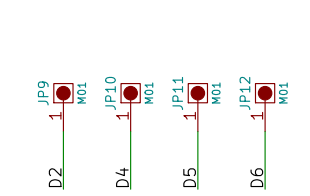
Analog Inputs



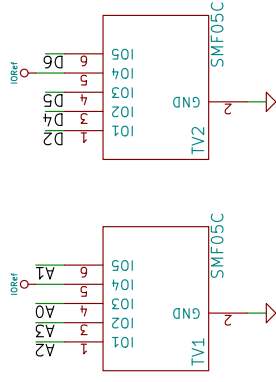
Power



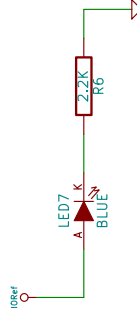
Digital I/O



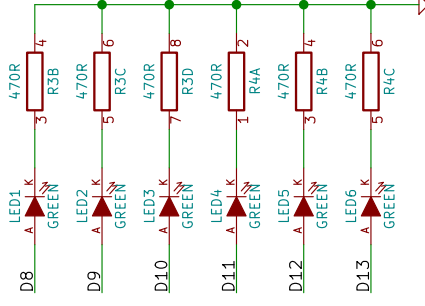
ESD Protection for Alligator Clip Connections



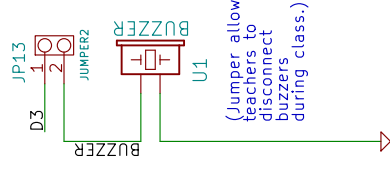
Blue Power LED



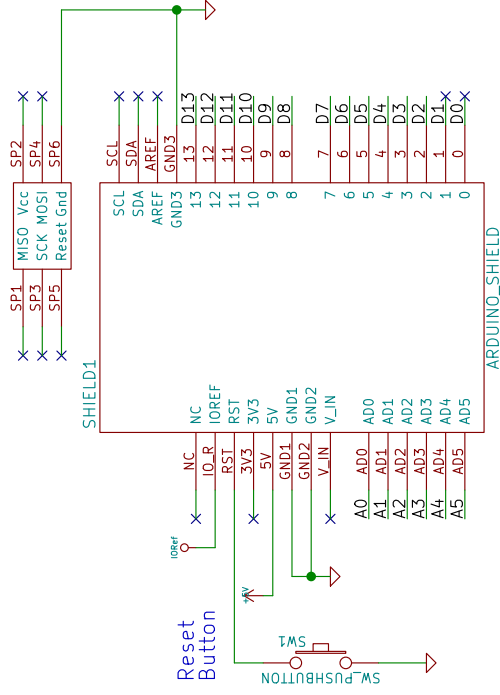
LED Outputs



Piezo Buzzer



Arduino Shield Header



Copyright (C) 2015 Freetronics Pty Ltd

TAPR Open Hardware License

Sheet: /
File: ThinkerShield.sch

Title: **ThinkerShield**

Size: A4 Date:

KiCad E.D.A. kicad 0.201508060901+605528ubuntu15.04.1--product Id: 1/1

Rev: V1.1

Id: 1/1